



Quality First For Performance That Lasts

CVC400

Quick Installation Guide

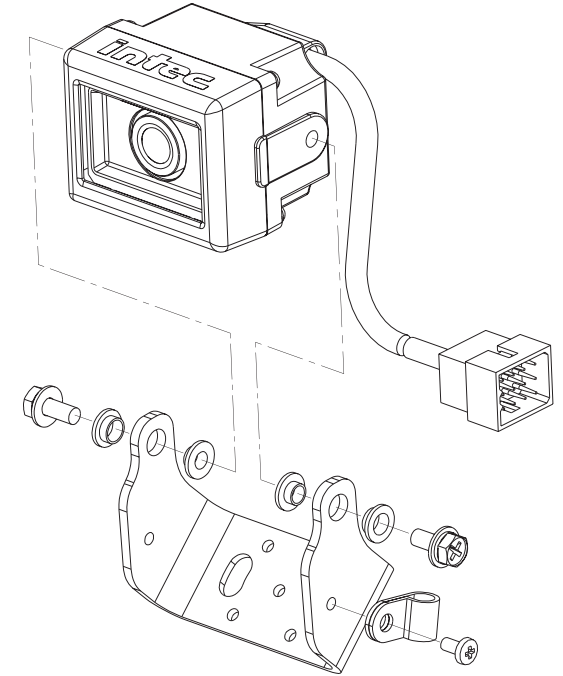
Included in the box:

- 1 - CVC400 - Camera
- 1 - Mounting Bracket Kit
- 1 - Mounting Bolt Set

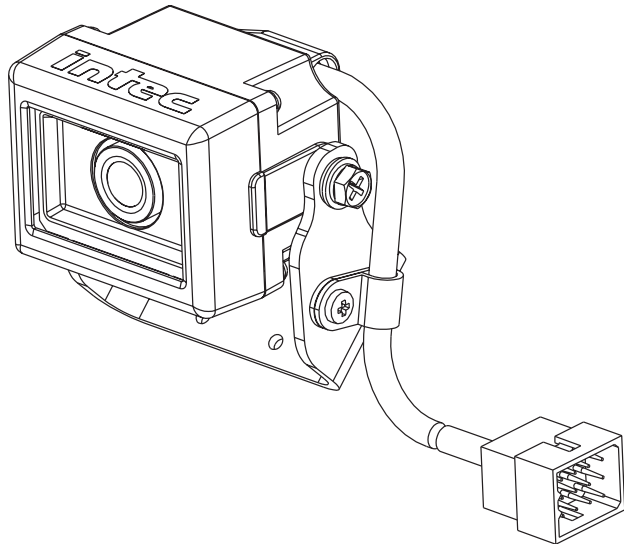
1 Determine a secure mounting location for your Car Vision camera and install the bracket with the hardware provided. The camera should be installed so that the area you are trying to view is clearly seen on the display and a critical reference (leading edge) of the vehicle is also visible.

For example: Rear mounted cameras should be installed to give you the maximum viewing area behind the vehicle while still seeing the rear most part of the vehicle or the leading edge at the bottom of the displayed image.

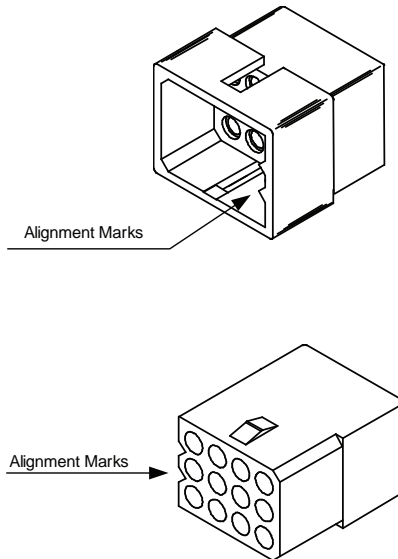
Warning: The orientation of the image displayed is critical to safe vehicle operation. An object on the right side of your vehicle needs to be seen on the right side of the display screen. Always confirm proper image orientation before driving or operating your vehicle.



2 Assemble the camera to the bracket then secure the camera pigtail to the bracket with the "P" Clamp provided, as shown below.



3 Connect the camera to the main cable by aligning the keys and pushing together until firmly seated.



Note: The Molex connection is not waterproof and should not be exposed to the environment.

If exposed to the environment, the Molex connectors must be weatherproofed. A simple means is to use 1-inch diameter gum interior heat shrink tubing (INTEC part # CVST10) to cover the whole connector assembly. This will seal and protect the connector from direct moisture due to rain, snow, vehicle washing, etc.

Optional Mounting Accessories
Various Bracket Lengths
Flush Mount Camera Enclosures

For a more detailed set of installation instructions, please visit www.intecvideo.com/support.html
You may also call us toll free at 800-468-3254 (West) or 800-522-5989 (East) with any questions. Rev B 02/2014