



Quality First For Performance That Lasts

CVC400XL

Quick Installation Guide

Included in the box:

- 1 - CVC400XL - Camera
- 1 - Mounting Bracket
- 1 - Mounting Bolt Set

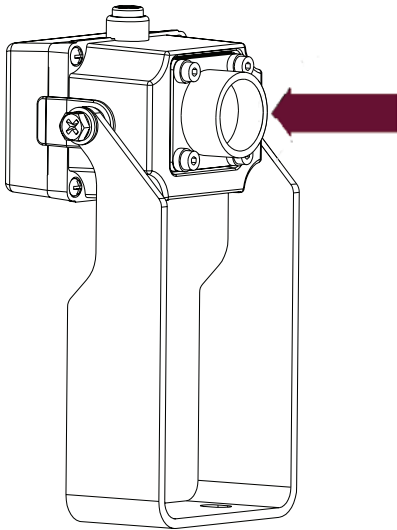
1 Determine a secure mounting location for your Car Vision camera and install the bracket with the hardware provided. The camera should be installed so that the area you are trying to view is clearly seen on the display and a critical reference (leading edge) of the vehicle is also visible.

For example: Rear mounted cameras should be installed to give you the maximum viewing area behind the vehicle while still seeing the rear most part of the vehicle or the leading edge at the bottom of the displayed image.

Warning: The orientation of the image displayed is critical to safe vehicle operation. An object on the right side of your vehicle needs to be seen on the right side of the display screen. Always confirm proper image orientation before driving or operating your vehicle.

2 Assemble the camera to the bracket and secure the CVXLP series cable.

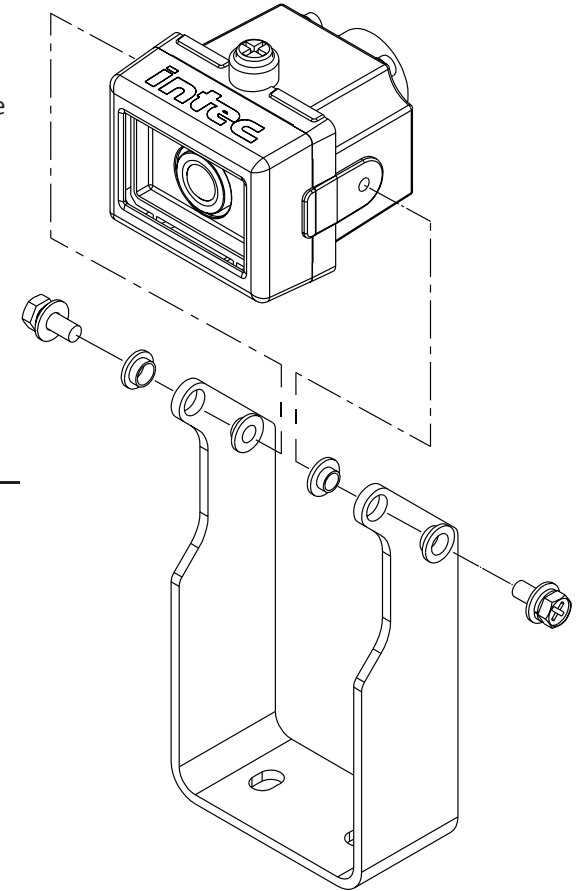
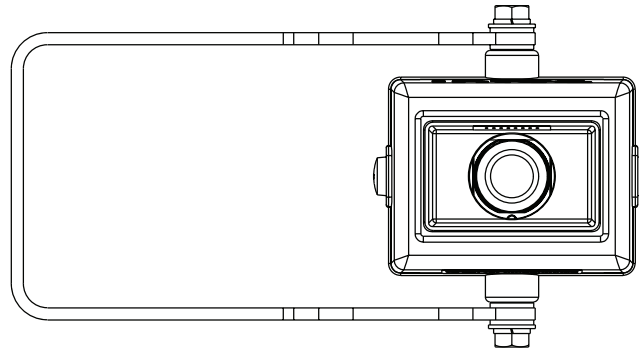
The connection is made by aligning the connector keys, largest key at the top, and pushing the connector in slightly and rotating the locking collar clockwise until it fully locks into place.



Side Mount Option

The CVC400XL can also be side mounted. To do this simply remove the black thermoplastic screws from the top and bottom of the camera case, turn the bracket for left or right side mounting and secure it with the metal screws provided. An optional shorter bracket is available for some side mount installations.

We recommend re-installing the thermoplastic screws in the vacant mounting holes to keep them free of debris.



Optional Mounting Accessories
Various Bracket Lengths
Metal Camera Enclosures

For a more detailed set of installation instructions, please visit www.intecvideo.com/support.html
You may also call us toll free at 800-468-3254 (West) or 800-522-5989 (East) with any questions. Rev B 02/2014