



Quality First For Performance That Lasts

## CVC520AHXL

### Quick Installation Guide

#### Included in the box:

- 1—CVC520AHXL Camera
- 1—Mounting Bracket
- 1—Mounting Bolt Set

**! Please include this Quick Installation Guide with the other vehicle documentation provided to the end user.**

- 1** Determine a secure and suitable mounting location for your camera. The camera should be installed so that the area you are trying to view is clearly seen on the display and a critical reference (leading edge) of the vehicle is also visible. For example: Rear mounted cameras should be installed to give you the maximum viewing area behind the vehicle while still seeing the rear most part of the vehicle, typically the rear bumper, or the leading edge at the bottom of the displayed image.
- 2** Install the camera bracket with the hardware provided. Use the bracket as a template for drilling the required holes. The recommended mounting bolt torque specification is between 20 and 22 inch
- 3** Assemble the camera loosely to the bracket.



#### **⚠ WARNING**

Use only INTEC supplied camera brackets. The INTEC camera bracket provides the necessary required isolation from the vehicle body. Failure to do so could result in system damage if shorting occurs.

#### **⚠ CAUTION**

Be certain that all items are secure. Items that are not secure or mounted in an unstable manner can come loose and cause damage or personal injury.

Do NOT install the camera in any area that allows it to extend out past the vehicle, as this can cause injury if it were to come in contact with people walking around the vehicle.

Always verify the area being drilled into is clear of all wires and other items around or underneath so as not to cause damage.

Always confirm proper image orientation before driving or operating your vehicle. The orientation of the image displayed is critical to safe vehicle operation. An object on the right side of your vehicle needs to be seen on the right side of the display screen.

Before you begin driving, be sure the display controls are adjusted properly. This will avoid unnecessary distractions while driving.

For more detailed installation instructions, please visit [www.intecvideo.com/support.html](http://www.intecvideo.com/support.html)

You may also call us toll free at 800-468-3254 (West) or 800-522-5989 (East) or e-mail [support@intecvideo.com](mailto:support@intecvideo.com) with any questions. Rev B 07/2024

**4** Connect the cable by aligning the connector keys, largest key at the top, and pushing the connector in slightly and rotating the locking collar clockwise until it fully locks into place.

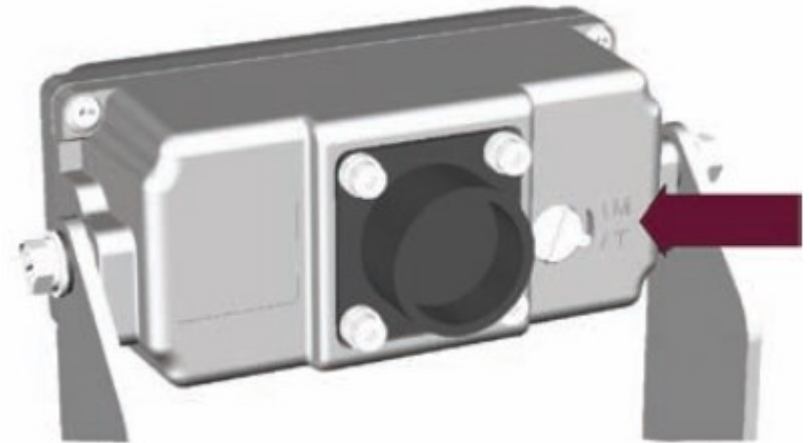


**5** Make any final adjustments to the viewing angle and tighten all bolts. The recommended camera bolt torque specification is between 17 and 20 inch pounds.

#### **Change the Camera Image**

If you need to reverse the camera image you can do so by using a flat screwdriver and rotating the Image Reversal Switch on the back of the camera.

The camera is by default set to "T" which when connected to an INTEC display will provide a "Mirror" image view on the display.



#### **Optional Mounting Accessories**

Various Bracket Lengths  
Metal Camera Enclosures

For more detailed installation instructions, please visit [www.intecvideo.com/support.html](http://www.intecvideo.com/support.html)

You may also call us toll free at 800-468-3254 (West) or 800-522-5989 (East) or e-mail [support@intecvideo.com](mailto:support@intecvideo.com) with any questions. Rev B 07/2024