



Quality First For Performance That Lasts

CVR100 & CVR500 Quick Installation Guide

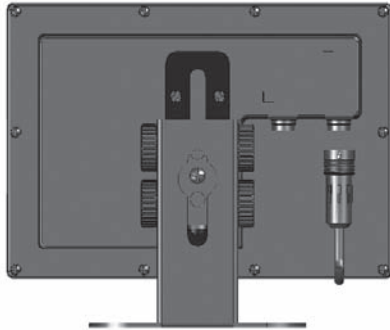
Included in the box:

- 1 - CVR100 or CVR500 Remote
- 1 - Mounting Bolt Set

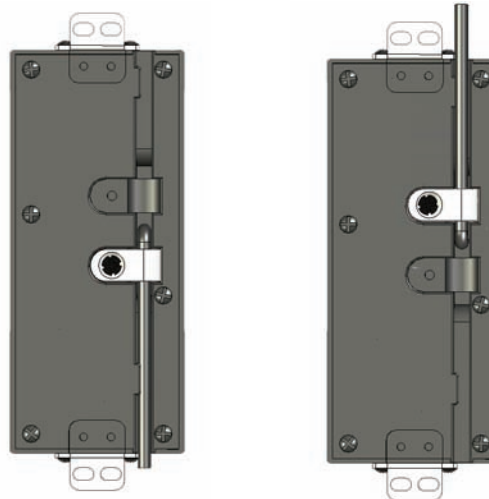
1 Determine a secure mounting location for your remote that is within a comfortable reaching distance for the operator and secure it with the bracket and hardware provided.

Note: The remote must be mounted within 1 meter of the display unless the optional CVDR5MA (5 meter) remote extension harness is used. For your convenience, the remote can be mounted in a variety of different ways. Review the Mounting Options below for additional information and mounting methods.

Warning: The orientation of the image displayed is critical to safe vehicle operation. An object on the right side of your vehicle needs to be seen on the right side of the display screen. Always confirm proper image orientation before driving or operating your vehicle.



2 Connect the remote to the display's right hand connector by aligning the alignment marks on the connector and push together until locked. The connection is located on the back of the display.



3 It may be necessary to change the direction the cable lays in the back of the remote control. The remote is set up to allow for exiting at the top or bottom. To change it simply remove the screw and "P" clamp, carefully lay the cable over in the opposite trough and re-secure the "P" clamp.

Mounting Options

A Flush against the surface.

B Flush behind the surface.



For a more detailed set of installation instructions, please visit www.intecvideo.com/support.html
You may also call us toll free at 800-468-3254 (West) or 800-522-5989 (East) with any questions. Rev D 02/2014