

308-00-02-004

Molex Video/Audio/Power Adapter



INTEC's 308-00-02-004 High Performance Video/Audio/Power (VAP) Adapter provides the required regulated power for the camera over the existing camera cable. Video and audio outputs are used to display the camera image and provide the camera audio, when equipped, on your MUX Display.

For additional information call (west) 800.468.3254 or (east) 800.522.5989



Specifications

Input Voltage
+9 to +36 VDC

Camera Input
CVC Series

Video Output
Male RCA (White)
1.0 VPP, 75 Ohm

Audio Output
Male RCA (Red)

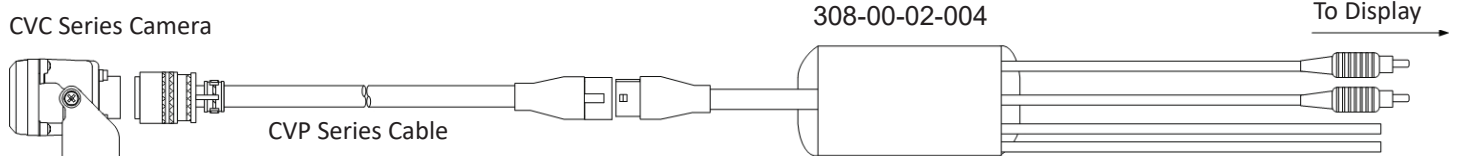
Audio Impedance
Pre-amp output 15k Ohm

Box Dimensions
L x W x H
2.70" x 1.56" x 0.79"

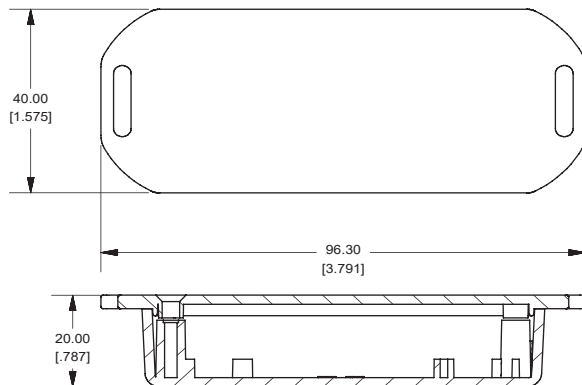
Standard Cable Lead Length
2.5 Feet
Please contact Intec for customized solutions.

Features Include:

- Wide Operating Input Voltage
- Video and Audio Outputs
- Low Profile
- Use with any Display



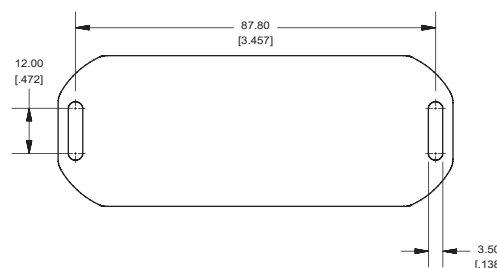
Dimensional



Power Connection Chart

Color	Function
Red	+9 to +36 VDC
Black	Ground
Red RCA	Audio Out
White RCA	Video Out

Mounting Dimensions



Quality first for performance that lasts

www.intecvideo.com

Corporate: 23301 Vista Grande, Laguna Hills, CA 92653 | Eastern: 4256 State Route 51 North, Rostraver Township, PA 15012