

# VSX351

Controller



**INTEC's VSX351 Camera Controller** combines all the critical camera functions of our VSC500 series environmental color zoom cameras into one control panel that can be located at the operators fingertips to minimize distraction and promote ease of use.

Built for the on board vehicle application, these sturdy controllers operate on 9-36 Volts DC input, provide a direct interface to our VSC series cameras, and provide a standard definition video output for display on either our VSM series monitors or a customer provided display.

For added functionality, the VSX series controllers can accept one of our CVC series Car Vision cameras for a complete video safety solution.

For additional information call (west) 800.468.3254 or (east) 800.522.5989



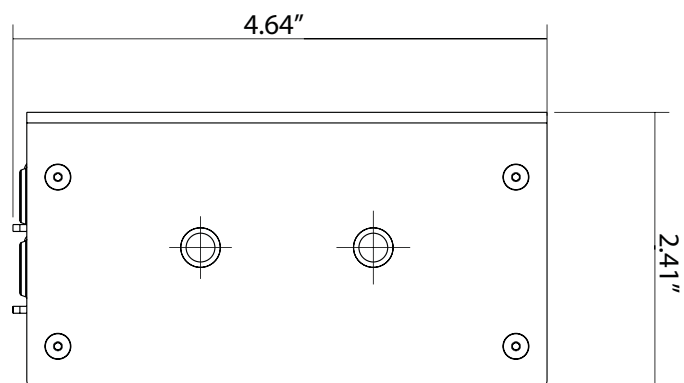
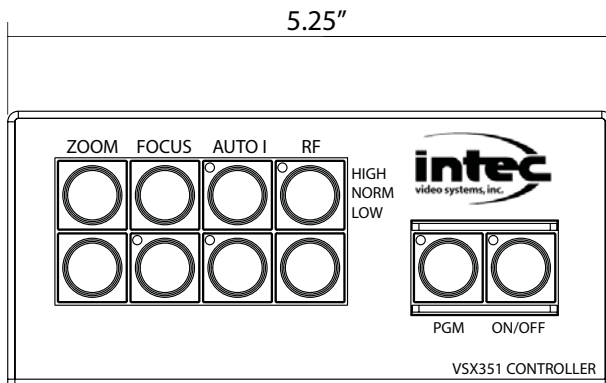
**Product Benefits:**

- ✓ Integrated Camera Controller for use with Intec VSC500 Series High-performance environmental True Day Night Color Zoom cameras
- ✓ 9 - 36 VDC Wide Input Voltage suitable for uneven vehicle electrical systems.
- ✓ Superior Shock and Vibration Resistance withstands industrial and off-road applications.
- ✓ Use with all Intec VSM Series Monitors or customer supplied monitor.
- ✓ Universal Mounting Brackets for ease of installation in a variety of applications.

**Specifications**

<b>Controls</b>	On / Off Program Zoom (Tele, Wide) Focus (Near, Far, Auto On - Off) IR Cut Filter (IR On, Auto, Off)
<b>Power</b>	9 - 36 VDC
<b>Connector</b>	Molex PS-5556 Series
<b>Cable</b>	Intec VS Type 16-C
<b>Cable Distance</b>	200 Feet
<b>Inputs</b>	Data, Power
<b>Construction</b>	Sheet Metal Chassis and Cover
<b>Finish</b>	Powder Coat Black
<b>Environment</b>	95% RH
<b>Temperature (C)</b>	-40 to +80 Deg (Operation) -65 to +150 Deg (Storage)
<b>Weight</b>	1.5 lbs.

**Dimensional:**



**Quality first for performance that lasts**

[www.intecvideo.com](http://www.intecvideo.com)

Corporate: 23301 Vista Grande, Laguna Hills, CA 92653 | Eastern: 4256 State Route 51 North, Belle Vernon, PA 15012